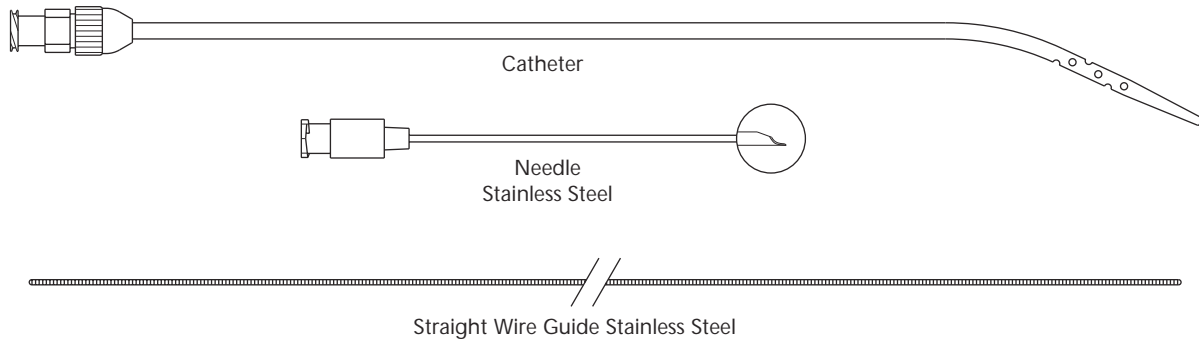


Peritoneal Lavage Catheter Set



DESCRIPTION

- Used to infuse and withdraw rinsing solutions in body cavities in cases of blunt trauma and therapeutic use.
- Supplied sterile in peel-open packages.
- Intended for ONE TIME USE.
- Intended for VETERINARY USE ONLY.

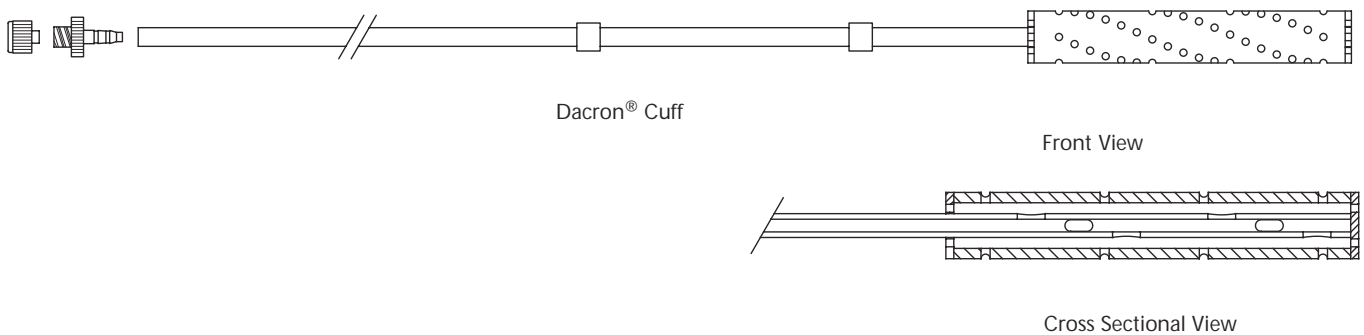
ORDER No.

Remarks

V-PLS-100-A

Set includes 9 French, 20cm long catheter with six (6) distal sideholes, 18 gauge, 7.0cm long introduction needle and 0.038" inch diameter, 50cm long wire guide.

Acute Peritoneal Dialysis Catheter



DESCRIPTION

- A silicone catheter to enable acute access to the peritoneal cavity.
- Coaxial distal catheter portion prevents occlusion of the multiple sideholes.
- Supplied sterile in peel-open packages.
- Intended for ONE TIME USE.
- Intended for VETERINARY USE ONLY.

ORDER No.

Remarks

V-PDC-17-10

18 French silicone catheter, 80cm long with two (2) Dacron® cuffs. Distal coaxial catheter section is 16mm outside diameter.