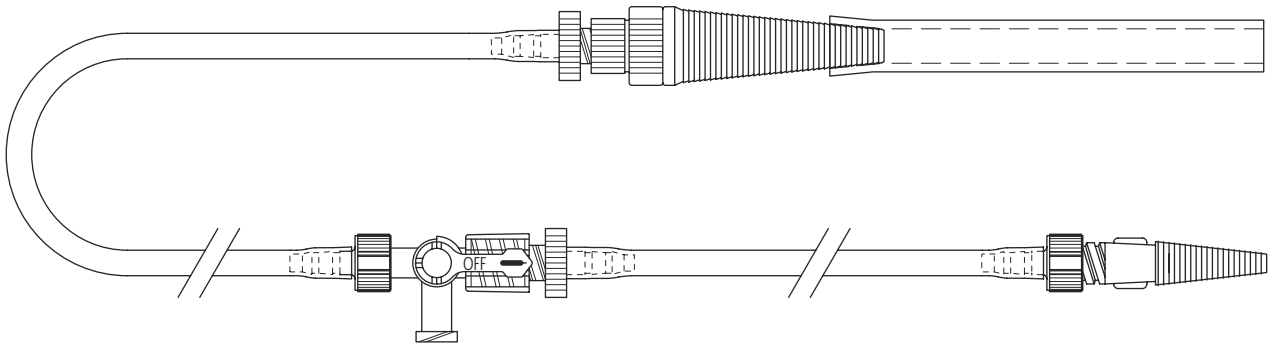


# Fluid Administration & Tubing

## Connecting Tubes



### DESCRIPTION

- Used as extension tubes to indwelling drainage catheters or pressure lines.
- Supplied sterile in peel-open packages.
- Intended for ONE TIME USE.
- Intended for VETERINARY USE ONLY.

### ORDER No.

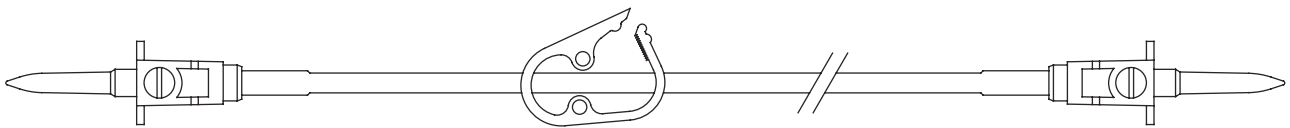
### Remarks

V-DVCT-14-55-VTA-FIRTH	Polyvinylchloride multi-purpose drainage connecting tube, 14 French, 55cm long.
V-DUCT-9.5-30-P-FM	Polyurethane connecting tube 30cm long, plastic male to female Luer lock fittings.

### REFERENCE

Dr Ava Firth, Department of Small Animal Clinical Sciences, University of Minnesota, Minnesota USA.

## Bag to Bag Connector



### DESCRIPTION

- Allows a second fluid bag to be connected to an existing fluid bag and delivery line.
- Intended for VETERINARY USE ONLY.

### ORDER No.

### Remarks

V-FACT-14-60-S-S-G	Double-ended spiked connecting tube, 60cm long with two (2) non-vented spikes and G-clamp.
--------------------	--